

PRODUCT SPECIFICATIONS

MODEL NO.	MOTOR	RPM	HP	kW	NET WT.	
					lbs.	kg
3HBB-19-M322A	12V DC	1460	.42	.31	19.5	8.84

SOUND LEVEL <75 dB(A)

NORMAL AMBIENT +5 to +40 °C

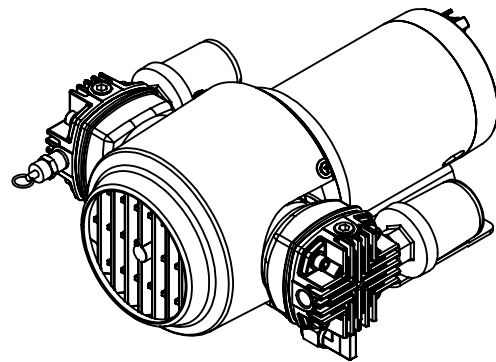
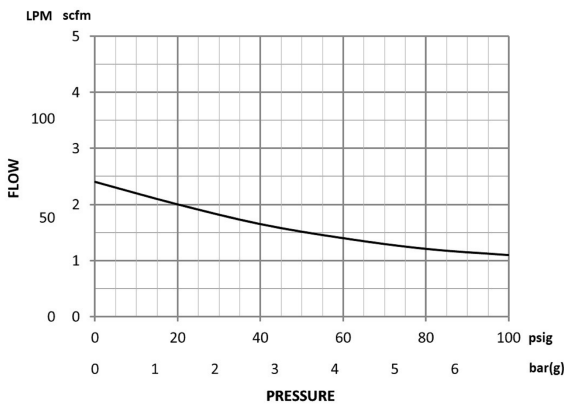
RELATIVE HUMIDITY 20 - 80%

ENVIRONMENT CLEAN AND DUST FREE

NOTES:

1. ALL DIMENSIONS ARE IN INCHES, AND ARE FOR REFERENCE ONLY.

PRODUCT PERFORMANCE:



PRODUCT DIMENSIONS:

