



Post Office Box 97
 Benton Harbor, Michigan
 Ph: 616/926-6171
 Fax: 616/925-8288

PART NUMBER:

LTD128

REV.

A

Product Specifications

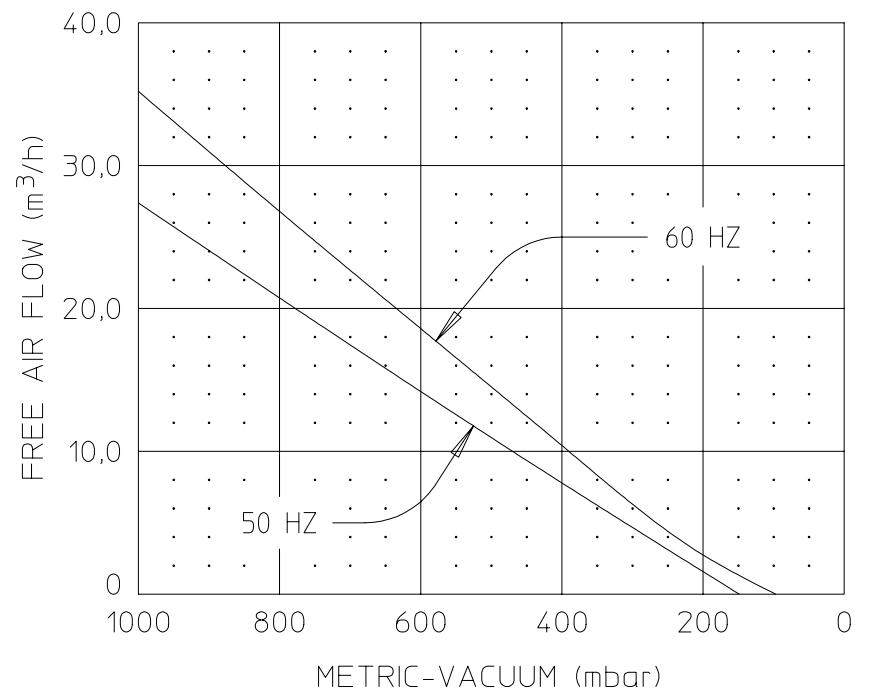
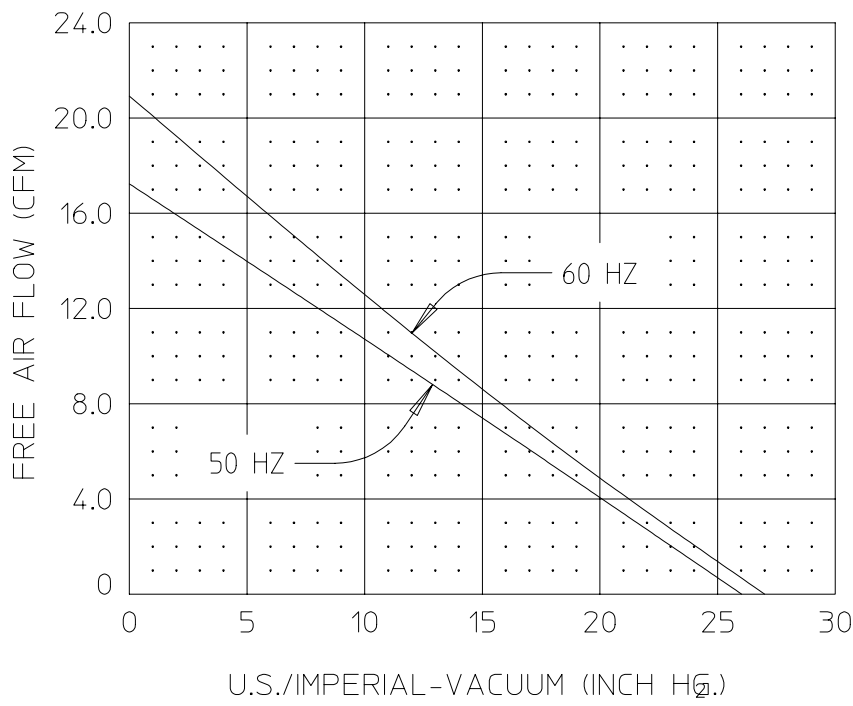
Model Number	RPM		HP	kW	Net Wt.	
	60 CYCLE	50 CYCLE			lbs.	kg
2567-V103	1725	1425	1.5	1,1	55	25,0

SOUND LEVEL 80 dB(A) MAX.
 NORMAL AMBIENT 1° C. - 40° C.
 RELATIVE HUMIDITY 8% - 100% NON CONDENSING
 ENVIRONMENT CLEAN DUST FREE

NOTES:

1. TECHNICAL DATA SUBJECT TO CHANGE WITHOUT NOTICE.
2. DIMENSIONS METRIC (mm), U.S. IMPERIAL (inches).

Product Performance (Metric U.S. Imperial)



Product Dimensions

