

NOTES:

- 1. ALL DIMENSIONS ARE FOR REFERENCE USE ONLY.
- 21. TECHNICAL DATA SUBJECT TO CHANGE WITHOUT NOTICE.

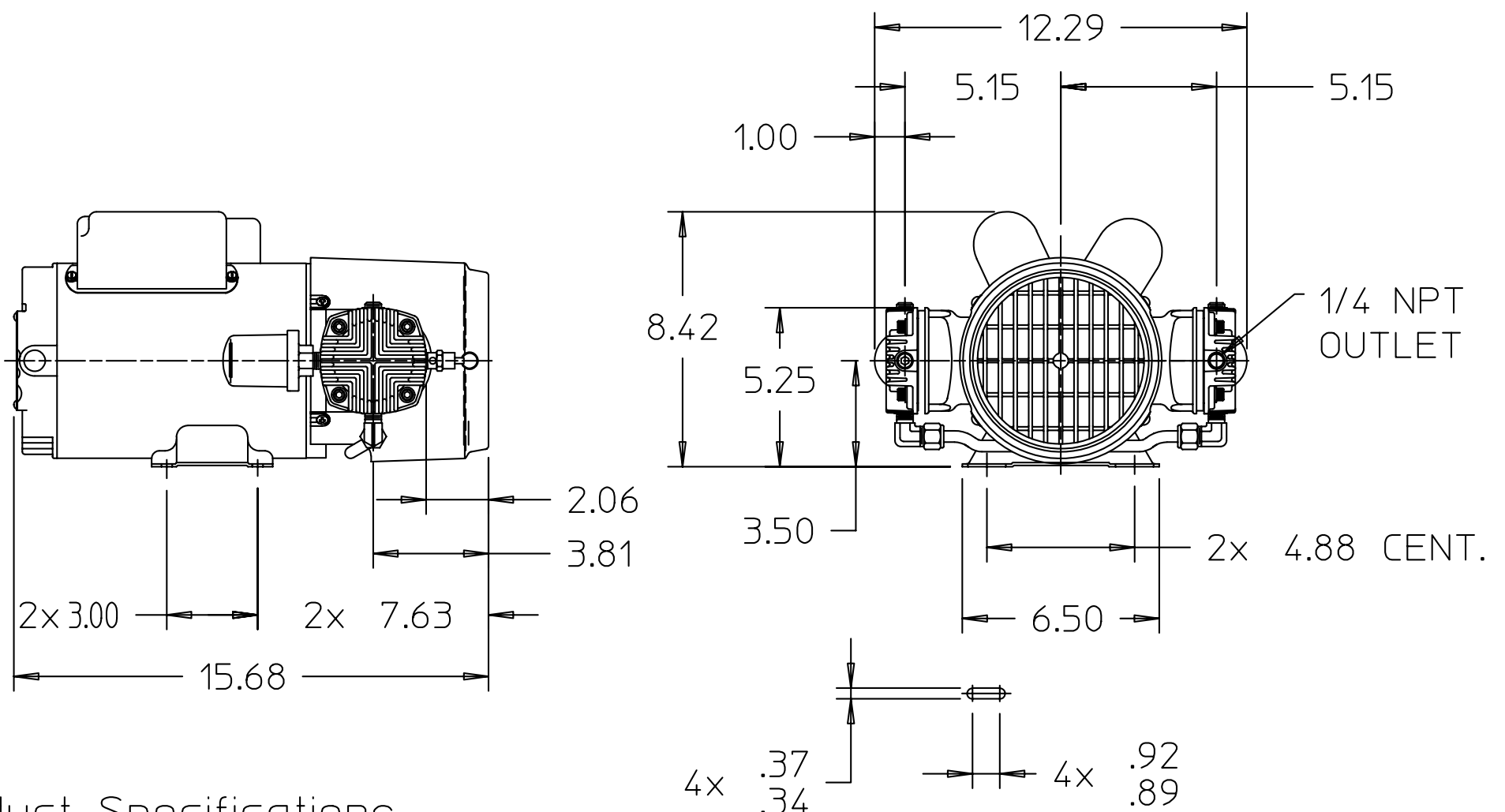
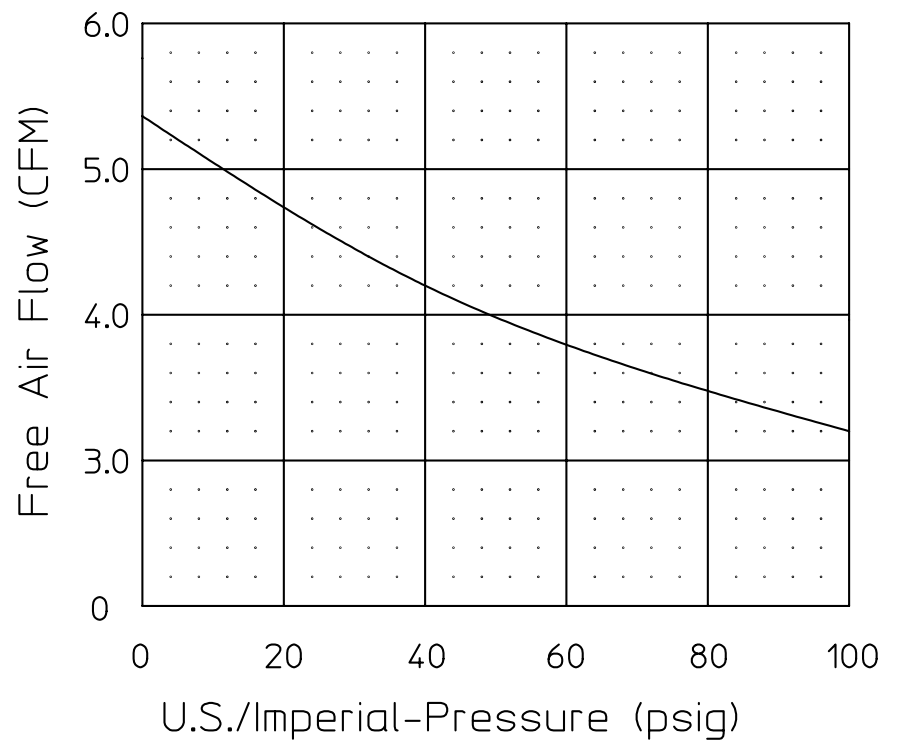
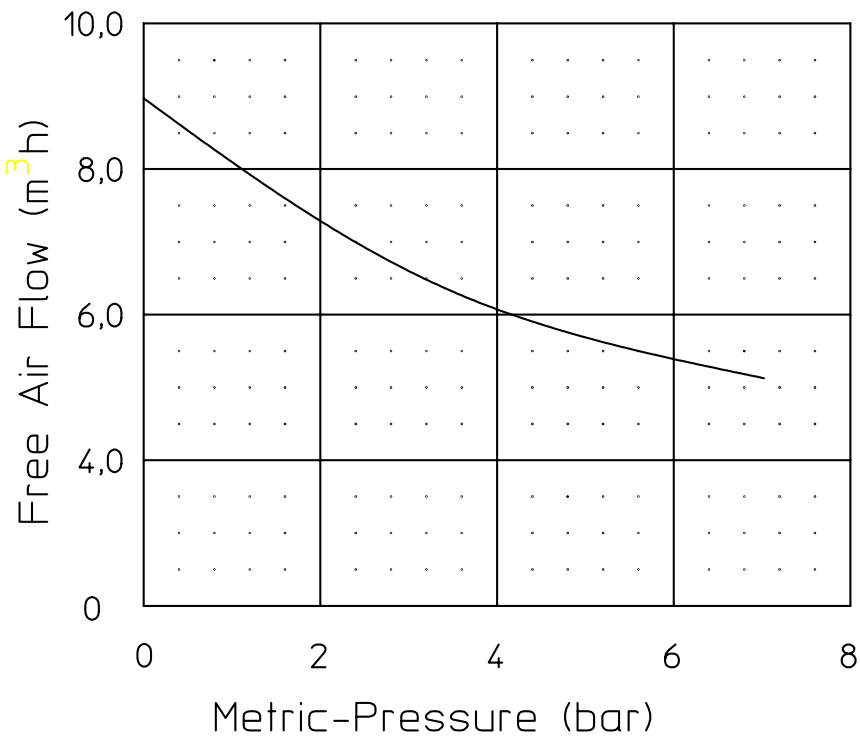


GAST MANUFACTURING, INC.  
 A Unit of IDEX Corporation  
 Post Office Box 97  
 Benton Harbor, Michigan  
 Ph: 269/926-6171  
 Fax: 269/925-8288

SOUND LEVEL	81 dB(A)
NORMAL AMBIENT	+5 degC - +40 degC
RELATIVE HUMIDITY	20% - 80%
ENVIRONMENT	Clean Dust Free

PART NUMBER:	REV.
RTD397A	A

PRODUCT PERFORMANCE



Product Specifications

Model Number	Motor	RPM		HP	kW	Net Wt.	
		60 cycle	50 cycle			lbs.	kg
6HCA-10-M616NEX	115/230-1	1725	----	1	0,73	60	27,2