



Post Office Box 97
 Benton Harbor, Michigan
 Ph: 269/926-6171
 Fax: 269/925-8288

PART NUMBER:

STD128

REVISION:

J

Model Number	MAX. PRESS.		MAX. SPEED	HP	kW	Net Wt.	
	bar.	PSI				lbs.	kg
4AM-RV-75-GR25	5.5	80	200 RPM	1.7	1.25	28	12.7

CONFORMS TO EUROPEAN STANDARD EN13463-1 NON-ELECTRICAL EQUIPMENT FOR EXPLOSIVE ATMOSPHERES GROUP II CAT 2 (GAS & DUST), PROTECTED BY CONSTRUCTION (SURFACE TEMP RATED 135°C)

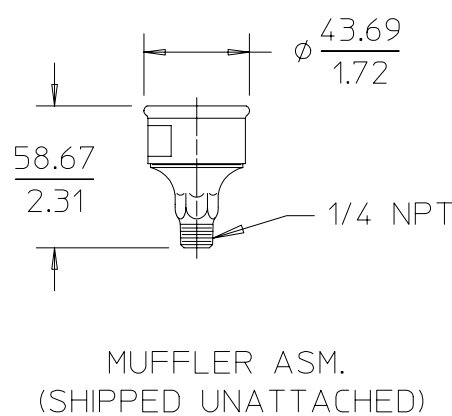
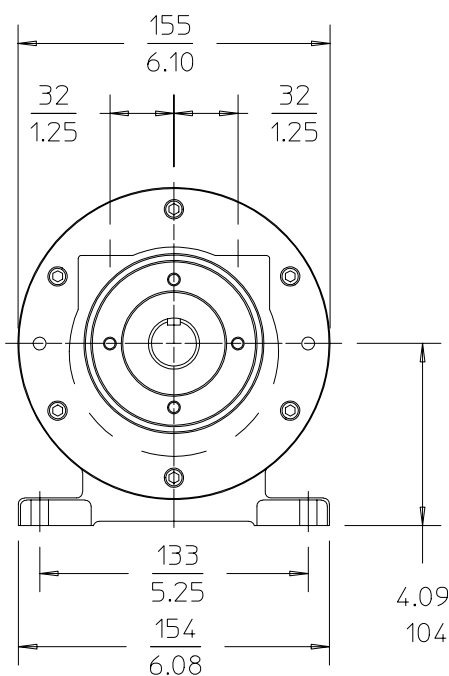
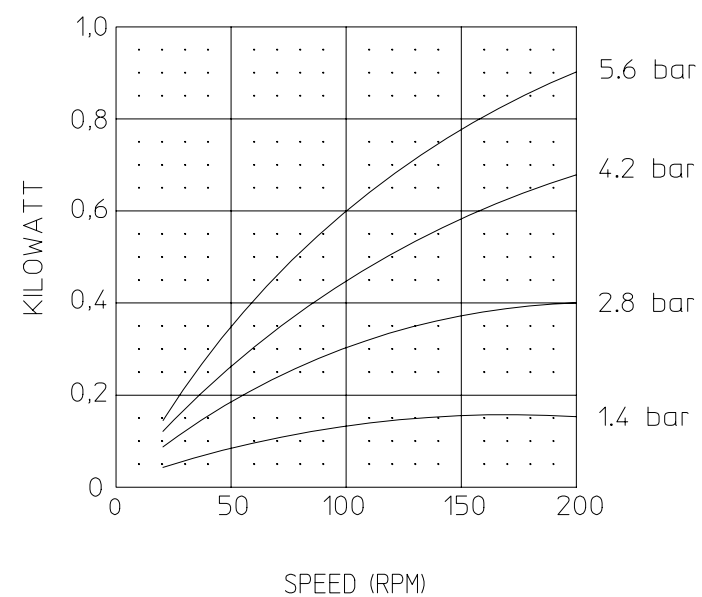
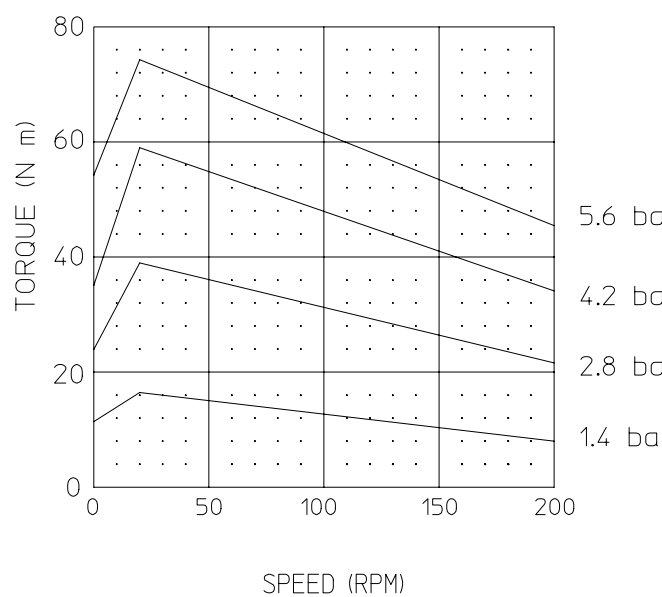
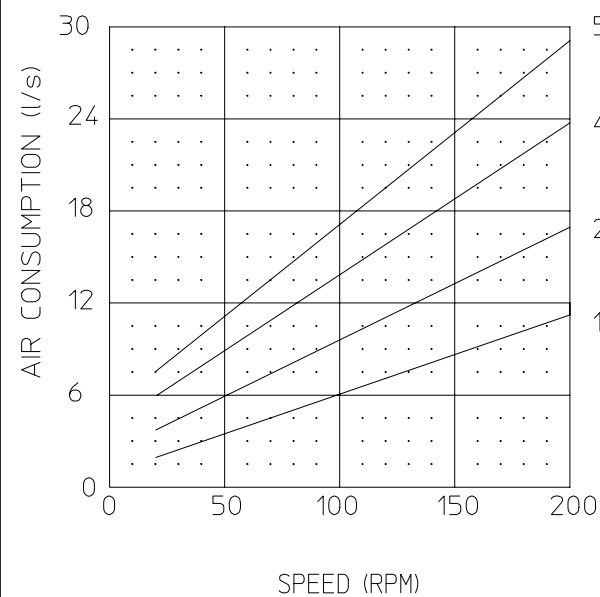
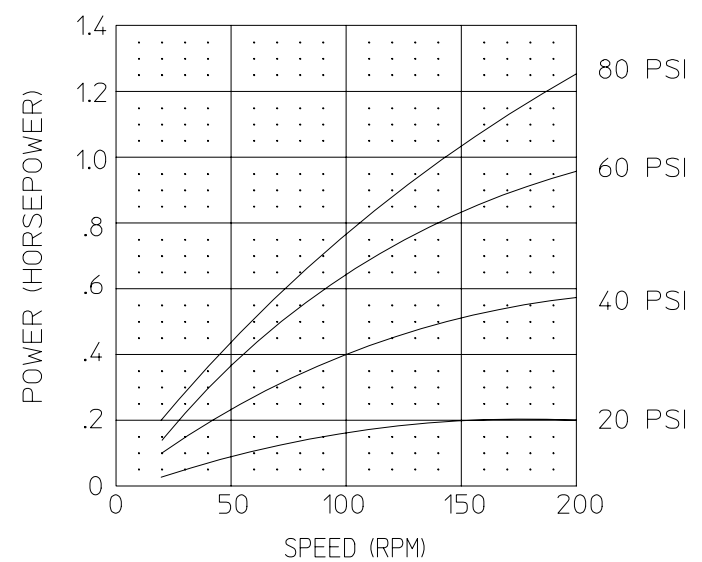
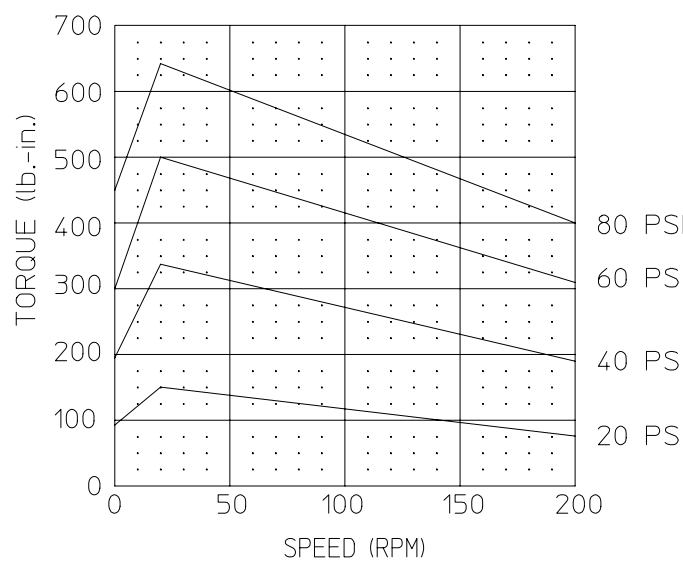
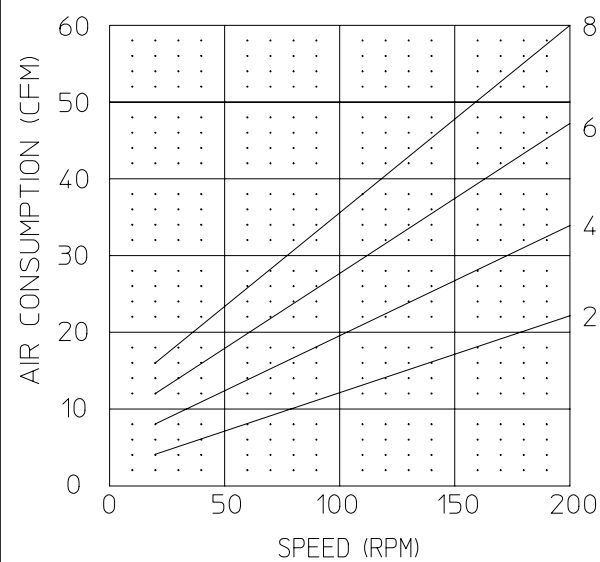
SOUND LEVEL 87 dB(A) MAX.

NORMAL AMBIENT +1°C. - 120°C.

RELATIVE HUMIDITY 0% - 100%

ENVIRONMENT HAZARDOUS AMBIENT COMBUSTIBLE GAS AND DUST +1°C TO +40°C

TECHNICAL DATA SUBJECT TO CHANGE WITHOUT NOTICE.



MUFFLER ASM.
(SHIPPED UNATTACHED)

