

Post Office Box 97
 Benton Harbor, Michigan
 Ph: 269/926-6171
 Fax: 269/925-8288

PART NUMBER: STD252
 REVISION: F

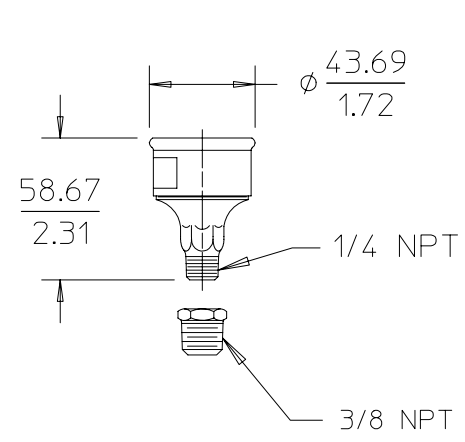
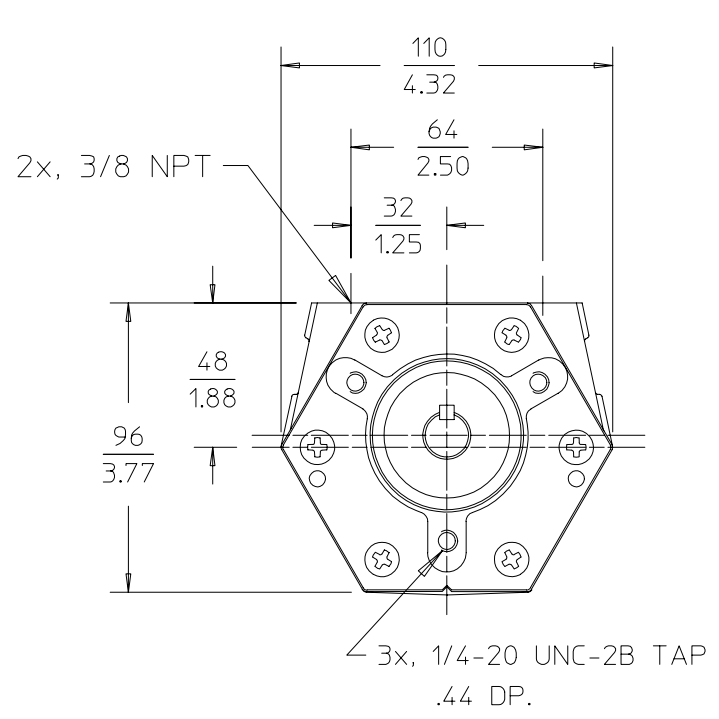
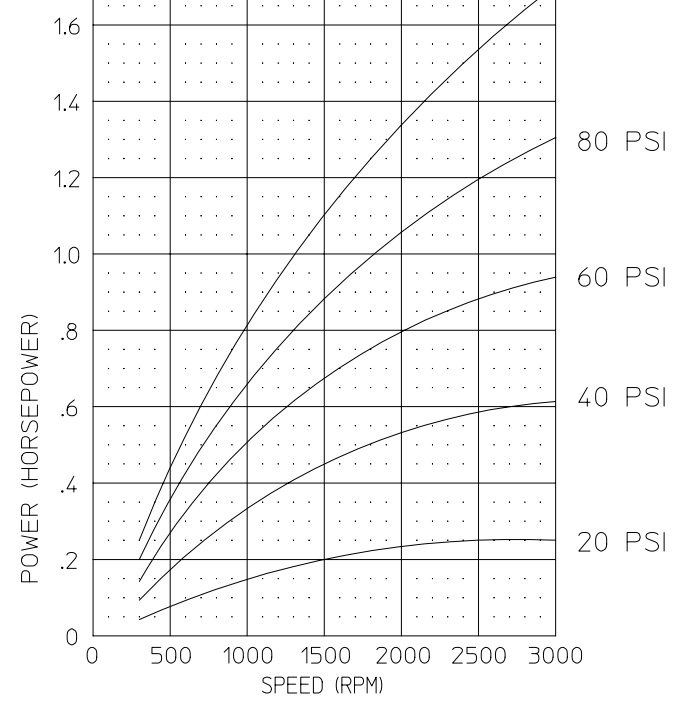
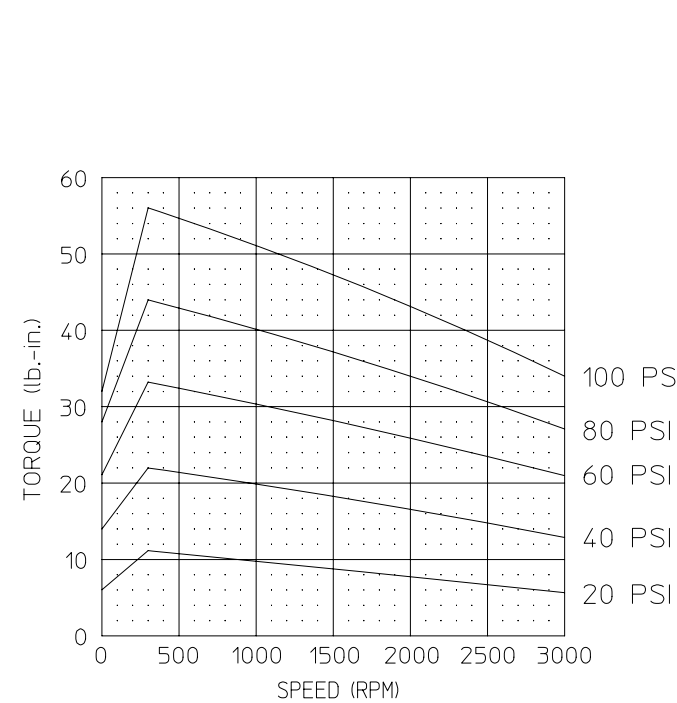
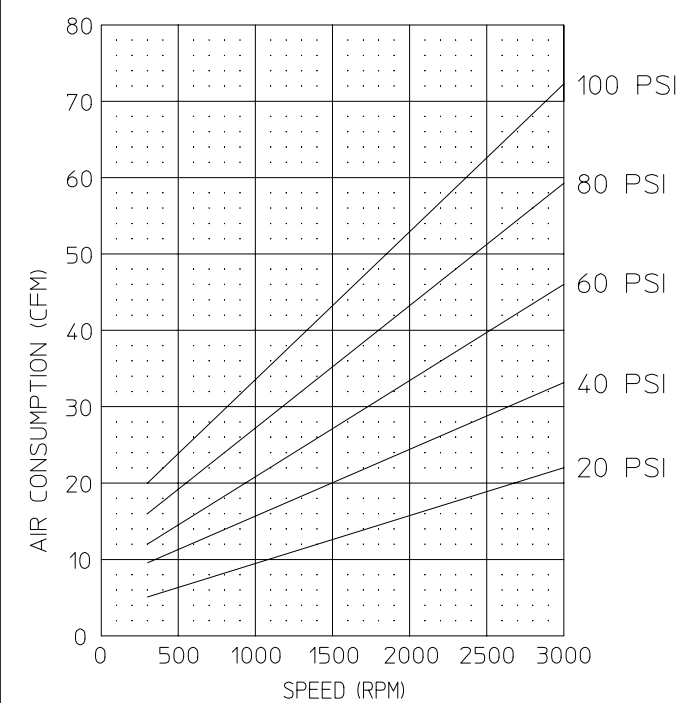
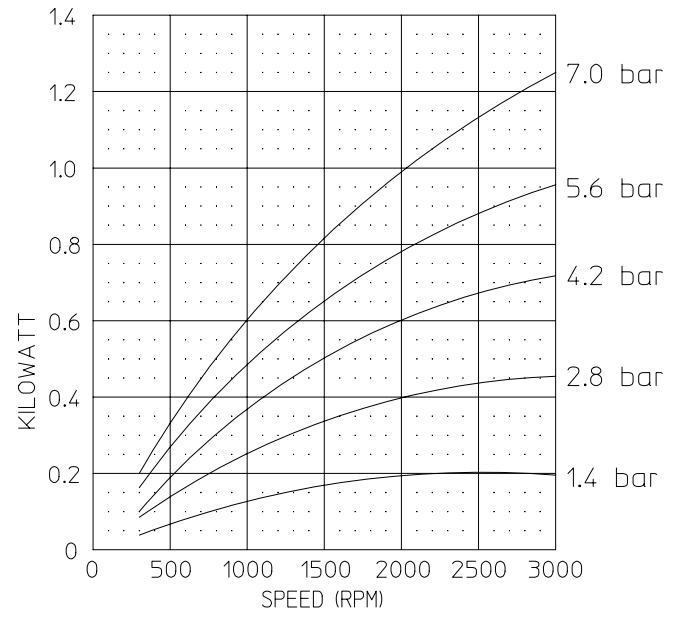
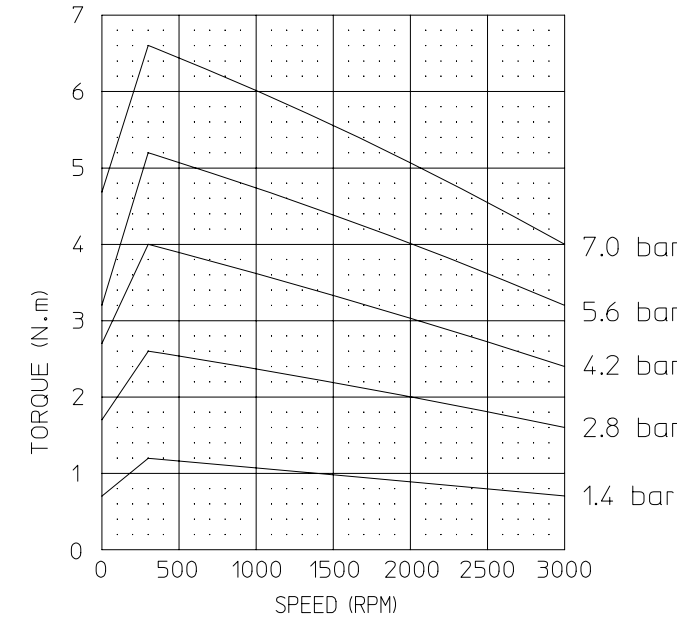
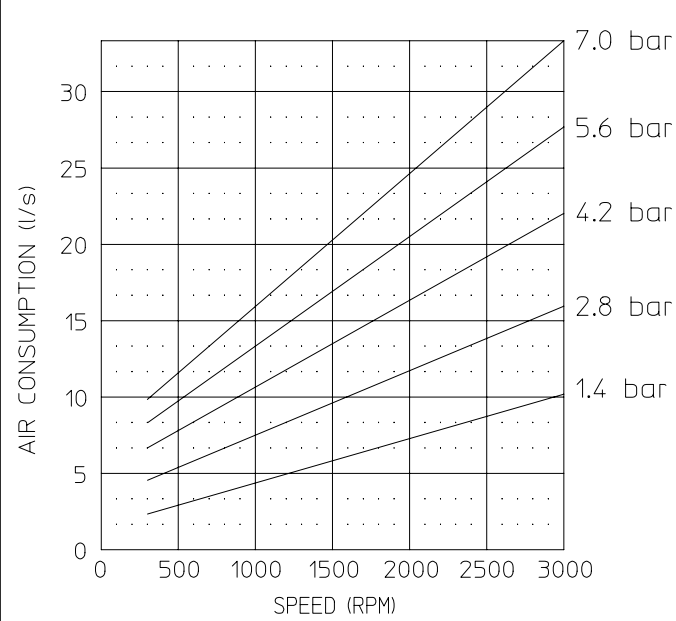
Product Specifications

Model Number	MAX. PRESS.		MAX. SPEED	HP	kW	Net Wt.	
	bar.	PSI				lbs.	kg
4AM-NRV-130	7.0	100	3,000 RPM	1.7	1.25	11	5.0
4AM-NRV-130C	7.0	100	3,000 RPM	1.7	1.25	11	5.0

SOUND LEVEL 87 dba MAX.
 NORMAL AMBIENT +1°C. - 120°C.
 RELATIVE HUMIDITY 0% - 100%
 ENVIRONMENT HAZARDOUS AMBIENT COMBUSTIBLE
GAS AND DUST +1°C TO +40°C

CONFORMS TO EUROPEAN STANDARD EN13463-1 NON-ELECTRICAL EQUIPMENT FOR EXPLOSIVE ATMOSPHERES GROUP II CAT 2 (GAS & DUST), PROTECTED BY CONSTRUCTION (SURFACE TEMP RATED 135°C)

TECHNICAL DATA SUBJECT TO CHANGE WITHOUT NOTICE.
 DIMENSIONS ARE FOR REFERENCE ONLY UNLESS OTHERWISE TOLERANCED.



MUFFLER ASM. & RED. BUSHING (SHIPPED UNATTACHED)

