







GAST

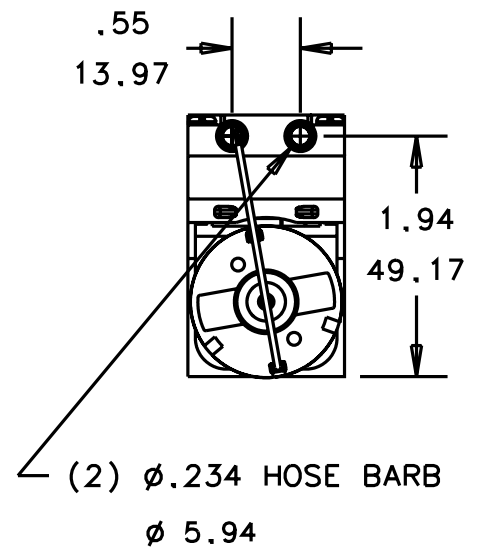
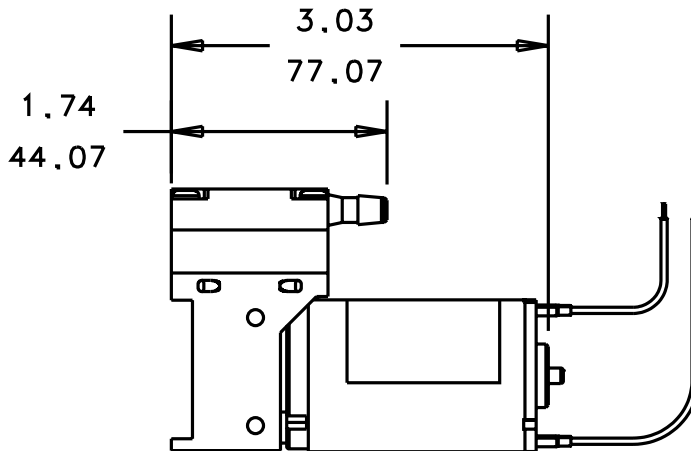
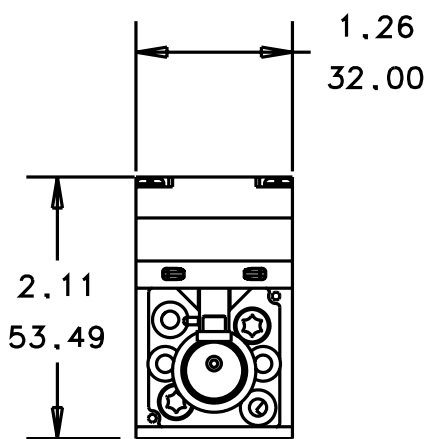
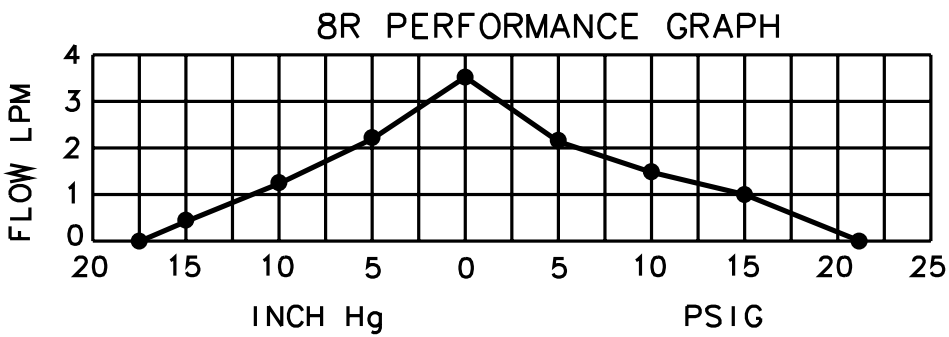
A UNIT OF IDEX CORPORATION
BENTON HARBOR, MI U.S.A.

IDEXonline

					8R1110-201-1048	
					MODEL NUMBER	
PRODUCT SPECIFICATION					VTD085	
					PART NUMBER	
8-16-01 DATE					24V MOTOR	
					REVISION E	
					N/A FREQUENCY	
					.3 MAX AMP DRAW	
					NEOPRENE VALVE MATERIAL	
					CLEAN DUST FREE ENVIRONMENT	
3000 <70dBa °C 10-95 .23 Kg					23°C/73.4°F *TEMPERATURE	
					29.92InHg/14.7psi *ATM PRESSURE	
					.075 LBS/CU FT INLET AIR DENSITY	

NOTES:

1. ALL DIMENSIONS ARE FOR REFERENCE ONLY.
2. PRODUCT DIMENSION: U.S. IMPERIAL (inches)
METRIC (mm)



PRODUCT PERFORMANCE MAY VARY \pm 10% FROM PRODUCT PERFORMANCE CURVES.
TECHNICAL DATA SUBJECT TO CHANGE WITHOUT NOTICE.
*TEST CONDITIONS